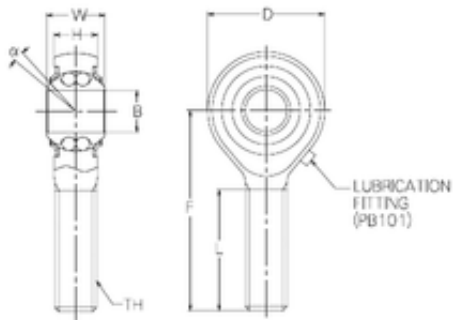


Bearing No. PBR8EFN



Bore Diameter	8 mm
d	8 mm
B	8 mm
D	24 mm
F	42 mm
H	9 mm
L	25 mm
W	12 mm
Angle	8,5 °
Thread (TH)	M8x1,25
Weight	0,036 Kg
Basic dynamic load rating (C)	4 kN