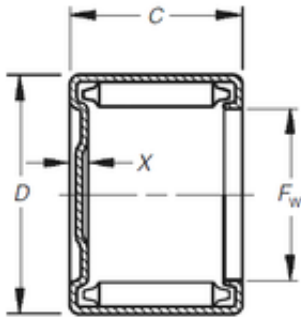


### Bearing No. M-22161



Size	34.925x41.275x25.4 mm
Bore Diameter	34,925 mm
Outer Diameter	41,275 mm
Width	25,4 mm
Fw	34,925 mm
D	41,275 mm
C	25,4 mm
C1	2,29 mm
Weight	0,064 Kg
Basic dynamic load rating (C)	40,2 kN
Basic static load rating (C0)	102 kN
(Grease) Lubrication Speed	2100 r/min