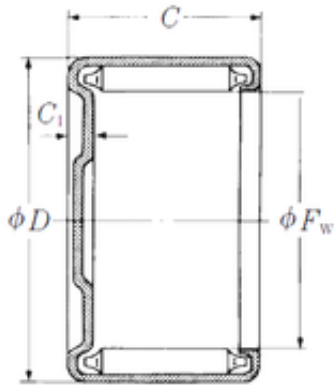


### Bearing No. MJ-2281



Size	34.925x41.275x12.7 mm
Bore Diameter	34,925 mm
Outer Diameter	41,275 mm
Width	12,7 mm
Fw	34,925 mm
D	41,275 mm
C	12,7 mm
C2	1 mm
Weight	0,077 Kg
Basic dynamic load rating (C)	12,4 kN