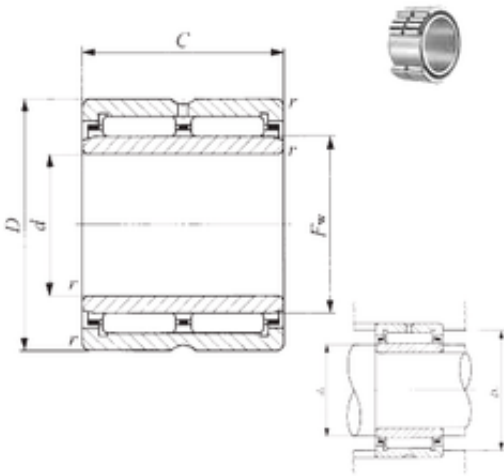


Bearing No. NA 6905



Size	25x42x30 mm
Bore Diameter	25 mm
Outer Diameter	42 mm
Width	30 mm
d	25 mm
Fw	30 mm
D	42 mm
B	30 mm
C	30 mm
r min.	0,3 mm
da min.	27 mm
da max	29 mm
Da max.	40 mm
S	0,5 mm
Weight	0,16 Kg
Basic dynamic load rating (C)	42,1 kN
Basic static load rating (C0)	64,3 kN