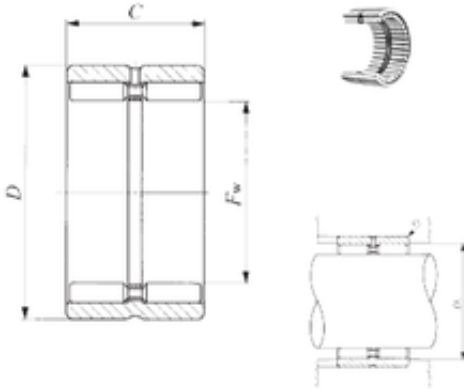


Bearing No. GBR 526828



Size	82.55x107.95x44.45 mm
Bore Diameter	82,55 mm
Outer Diameter	107,95 mm
Width	44,45 mm
Fw	82,55 mm
D	107,95 mm
C	44,45 mm
Da max.	99,9 mm
ra max.	1,5 mm
Weight	1,1 Kg
Basic dynamic load rating (C)	221 kN
Basic static load rating (C0)	488 kN