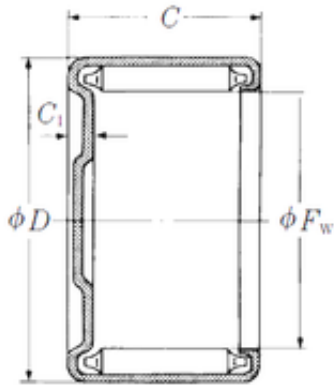


Bearing No. M-2281



Size	34.925x41.275x12.7 mm
Bore Diameter	34,925 mm
Outer Diameter	41,275 mm
Width	12,7 mm
Fw	34,925 mm
D	41,275 mm
C	12,7 mm
C2	2,3 mm
Weight	0,034 Kg
Basic dynamic load rating (C)	18,6 kN