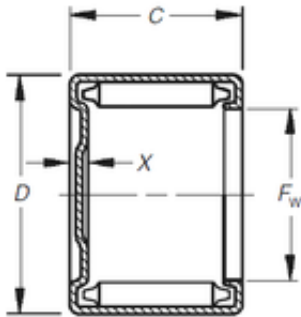


Bearing No. M-1881



Size	28.575x34.925x12.7 mm
Bore Diameter	28,575 mm
Outer Diameter	34,925 mm
Width	12,7 mm
Fw	28,575 mm
D	34,925 mm
C	12,7 mm
C1	2,29 mm
Weight	0,027 Kg
Basic dynamic load rating (C)	17,6 kN
Basic static load rating (C0)	33 kN
(Grease) Lubrication Speed	2500 r/min