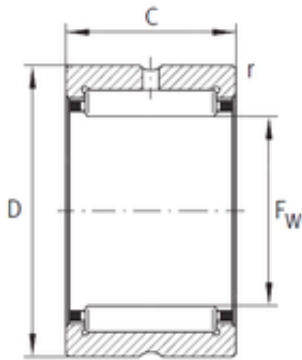


Bearing No. NK47/20



Size	47x57x20 mm
Bore Diameter	47 mm
Outer Diameter	57 mm
Width	20 mm
Fw	47 mm
D	57 mm
C	20 mm
r min.	0,3 mm
Weight	0,0945 Kg
Basic dynamic load rating (C)	32,5 kN
Basic static load rating (C0)	56 kN
Fatigue load limit (Pu)	9,9
Reference speed	6 000 r/min
Limiting speed	9 800 r/min
Category	Needle Non Thrust Roller Bearings
BDI Inventory	0.0
Manufacturer Name	SCHAEFFLER GROUP
Minimum Buy Quantity	N/A
Weight / Kilogram	0.09
EAN	4012802701487
Product Group - BDI	B04270
Rolling Element	Needle Roller Bearing
Component	Roller Assembly with Outer Ring - No Inner Ring
Enclosure	Open
Self Aligning	No
Retainer	Yes
Number of Rows of	Single Row

Rollers	
Separable	No
Closed End	No
Inch - Metric	Metric
Relubricatable	Yes
Thrust Bearing	No
Long Description	47MM Bore; 57MM Outside Diameter; 20MM Width; Needle Roller Bearing; Roller Assembly with Outer Ring - No Inner Ring; Open Enclosure; No Self Aligning; Retainer; Single Row of Rollers; No Separable; No Closed End; Relubricatable
Other Features	2 Rib Outer Ring Radial Precision Bearing Steel Cage Light Duty Ground Raceway with Rib Oil Hole
Category - BDI	Needle Non Thrust Roller Bearing
UNSPSC	31171512
Harmonized Tariff Code	8482.40.00.00
Noun	Bearing
Keyword String	Needle
Manufacturer URL	http://www.ina.com
Manufacturer Item Number	NK47/20
Weight / LBS	0.208
Bore	1.85 Inch 47 Millimeter
Outside Diameter	2.244 Inch 57 Millimeter
Width	0.787 Inch 20 Millimeter

