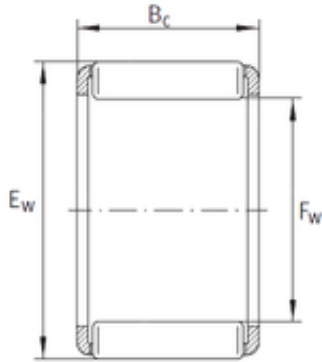


Bearing No. KZK 40x48x20



| | |
|-------------------------------|----------|
| Bore Diameter | 40 mm |
| Outer Diameter | 48 mm |
| Fw | 40 mm |
| Ew | 48 mm |
| Bc | 20 mm |
| Weight | 55 Kg |
| Basic dynamic load rating (C) | 32500 kN |
| Basic static load rating (C0) | 51000 kN |