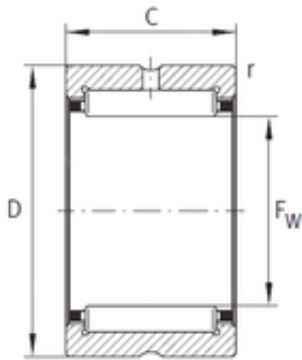


Bearing No. NK100/26-XL



Size	100x120x26 mm
Bore Diameter	100 mm
Outer Diameter	120 mm
Width	26 mm
Fw	100 mm
D	120 mm
C	26 mm
r min.	1 mm
Weight	0,515 Kg
Basic dynamic load rating (C)	86 kN
Basic static load rating (C0)	146 kN
Fatigue load limit (Pu)	25
Reference speed	3700 r/min